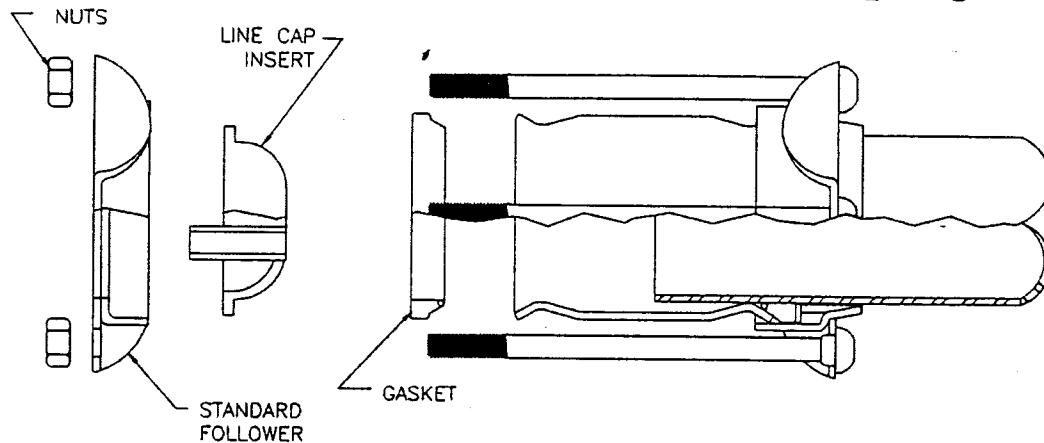


## Smith-Blair Inc.

### U-Series Maxi-Grip Line Cap Coupling



#### Installation of Line Cap Coupling onto Pipe

1. Clean pipe end approximately 10" back removing dirt, rust, scale and oil. Pipe end should be cut square and also be free of longitudinal grooves.
2. When capping plastic pipe, a properly sized metallic stiffener must be inserted into the plastic pipe. The stiffener must be at least 7" long and be marked with the same SDR as the pipe.
3. Mark pipe 5" from end.
4. Soap the pipe and gasket on open end of coupling.
5. Stab coupling onto pipe until follower aligns with mark on pipe.
6. Torque nuts evenly to 85-95 ft. lbs. while supporting coupling.

Pressure Rating	
Steel	300 PSIG
PE Plastic	150 PSIG
Cast Iron	150PSIG

This restraint line cap coupling meets or exceeds the requirement of D.O.T. 192.283(B)